



HIGH PRESSURE CLEANER

DW-095IV-1



IMPORTANT

1. Read these instructions carefully and familiarize yourself with procedure before assembling the unit.
2. Check that you have all the component parts following the list on the back cover and familiarize yourself with each part before proceeding.
3. Take all the fittings out of the plastic bag and separate them into their groups.
4. Ensure you have enough space to lay all the parts before assembly.
5. To avoid scratching, it is recommended that you assemble the unit on a soft level surface.

WARNING: READ THE INSTRUCTION CAREFULLY BEFORE OPERATION

Shanghai dihoo Industrial Development Co.,Ltd.
Add:Qingpu District 3841 Huqingping highway (Shanghai)
Add:Ningbo Yinzhou District Qiyun Road No. 1000 (Ningbo)
Contacts:wang di
Tel:0086 13586526531
E-mail:dh@dihoo.cc
Website:www.nb-huaxun.com



SAFETY INSTRUCTION

- When using the high pressure cleaner, always observe the detailed safety instructions enclosed.
- We recommend the user wear safety equipment during use.
- Please read all instructions before use.

WARNING

DO NOT use your high pressure cleaner without reading the safety instruction manual.

-This unit must not be used by children or untrained personnel.

-When activating the high pressure of the water coming out of the lance may cause kick back. Therefore when activating, ensure that you grip the lance firmly. When using this unit ensure that other people are at least 10m away from the working area.

-High pressure cleaner can be dangerous if misused. The high pressure gun must not be directed at other people, animal, live electrical equipment or the high pressure cleaner itself.

-DO NOT point the high pressure gun towards yourself or other people.

If an extension cord is used, it must be of waterproof construction.

-To ensure safe operation of the high pressure cleaner use only original spare parts or spare parts recommended by the manufacturer.

-DO NOT use the high pressure cleaner if the supply cord or other important parts are damaged (e.g. high pressure hose or the lance).

-Keep the high pressure hose connected to the pressure cleaner as long as the pressure cleaner is under pressure. Disconnecting the high pressure hose whilst the system is under pressure is dangerous.

-DO NOT use any acid or flammable liquid in the machine.

It is highly recommended that this product be used with and RCD (Residual Current Device).

-When using a high pressure cleaner always ensure that your water connection is protected by a “ Backflow Preventer” (as per Water Byelaws). This will avoid any possible contamination of your water supply.

ELECTRICAL SAFETY

Always check that the power supply corresponds to the voltage on the rating plate. Preferably connect the machine to an electric group who is protected with an earth leakage switch of max. 30 mA.

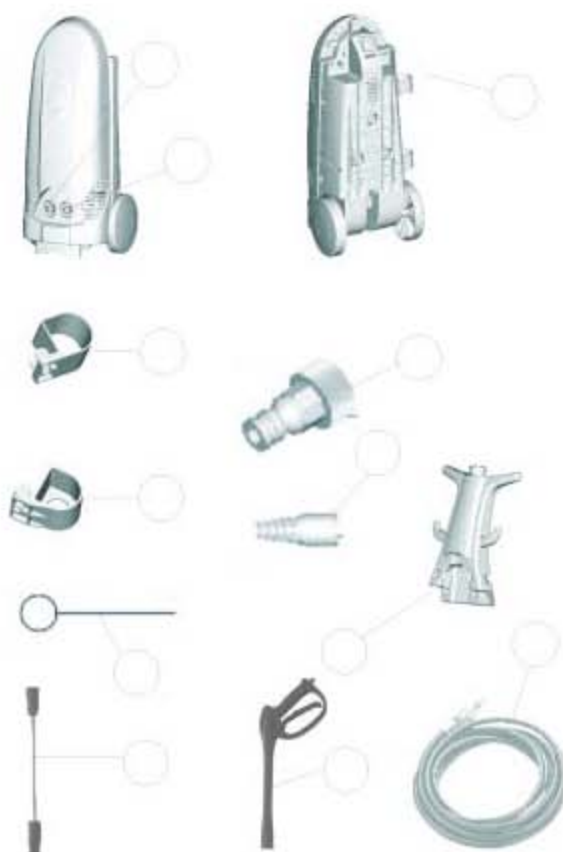
KNOW YOUR MACHINE

PRODUCT DATA

VOLTAGE	230V~240V/50Hz
POWER	1800W
RATED PRESSURE	100bar
MAX PRESSURE	150bar
FLOW RATE	6.0L/min
PROTECT CLASS	IPX5
WATER TEMPERATURE	0-40°C
MOTOR TYPE	Induction

Description/ The list

Note: Your high pressure cleaner has been designed for outdoor use only for the cleaning of stone, wood, metal and plastic materials.



1. INLET
2. OUTLET
3. SWITCH
4. DETERGENT TANK
5. WATER FILTER (INSIDE THE MACHINE)
6. MALE HOSE CONNECTOR
7. GUN HOLDER
8. GUN HOLDER
9. NEEDLE
10. NORMAL LANCE
11. TRIGGER GUN
12. HIGH PRSSURE OUTLET HOSE

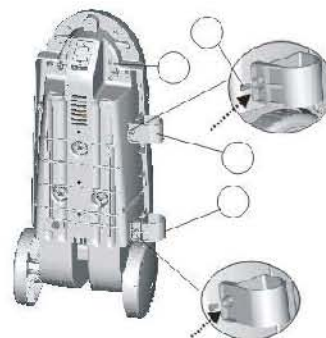
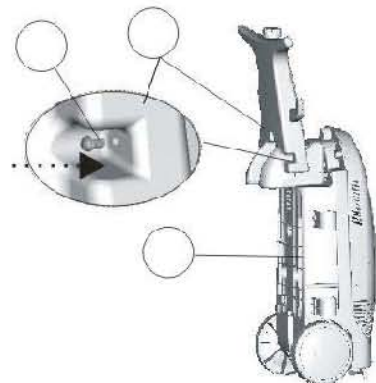
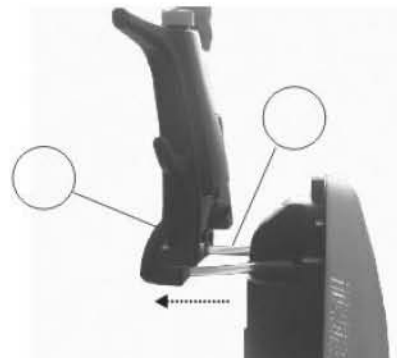
OPERATION INSTRUCTION-ASSEBLY

ATTENTION

Before carrying out any assembly or disassembly of the unit please ensure that the unit is not connected to the electrical supply.

Assembling the high pressure cleaner machine

1. cut the soft hose.
2. connect the soft hoses to joint of detergent tank.
3. fix uite body and detergent by screws.
4. fix storage brackets to unit body by screws.



5.High pressure washer hose

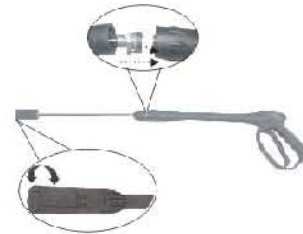
- A. Connect the high pressure hose to the outlet., see picture 1.
- B. Connect the high pressure hose to trigger handle, use spanner to tighten the connection (but do not over tighten). See picture 2.



Picture 2

6. Assembling the lance and trigger handle

- A. Connect the lance and trigger handle by screwing the connection. This assembly must be carried out prior to using the high pressure cleaner. See picture 3.
- B. Always remove or replace parts whilst the high pressure cleaner is switched off.



Picture3

CAUTION

Ensure that both parts are firmly connected together otherwise may cause a breakage and a hazard.

7. Connecting the water supply

- A. Screw the threaded male hose connector onto the water supply connector. Ensure that the connector is firmly fastened (but do not over tighten). See picture 4
- B. Connect the female connector of your garden hose (the garden hose and female connector not included in the package) onto the male connector of your high pressure cleaner. See picture 4



Picture 4

Note: The minimum length of supply hose (not included) advised for maximum user convenience is 6 meters with a diameter of 12.5mm(1/2") to avoid back pressure and any associated potential damage to your high pressure cleaner.

OPERATION INSTRUCTION

Instructions for use

1. Fully open the water mains tap- Do not at this switch on your high pressure cleaner.
2. Never operate your high pressure cleaner without the water supply switched on.
3. Hold the trigger of the pistol grip until all the air has been expelled from the high pressure cleaner and the water starts to flow. As soon as the water starts flowing out of the nozzle, release the trigger. You have now primed your high pressure cleaner with water.
4. The high pressure cleaner can now be switched on.

Switching On and Off

1. Ensure that the main switch is in the “O” position.
2. To switch the high pressure cleaner on, set the —/O Switch to “—” position.
3. To switch the high pressure cleaner off, set the —/O Switch to “O” position.
4. In the event of the motor overheating, the high pressure cleaner will automatically switch itself off. If this happens switch off the high pressure cleaner and wait 5 to 10 minutes before switching it on again. If the problem persists then please contact the help line.



ATTENTION

In the event of a break in use longer than 2 minutes, ensure that you switch the high pressure cleaner off. If left longer than this time the water in the system will heat up and could cause severe damage to the pump.

Operating your high pressure cleaner

1. Your spray lance has two main settings. These setting can be varied by turning the fitting on the end of nozzle attachment fitted to the end of the lance.
2. Turn the fitting anti-clockwise for a pointed jet (marked stream) or turn the nozzle clockwise for a flat jet (marked fan). See picture 5
3. Always ensure that the trigger is closed and the high pressure cleaner is switched off before changing the nozzle settings.
4. Aim the lance towards the object to be cleaned making sure the recommended working distance is used for reference. Squeeze the lance trigger until the water starts flowing, then switch on the high pressure cleaner by activating the —/O switch.



Picture 5

ATTENTION: When using your high pressure cleaner, the recommended working distance between the nozzle and the object or surface to be cleaner is 30cm.

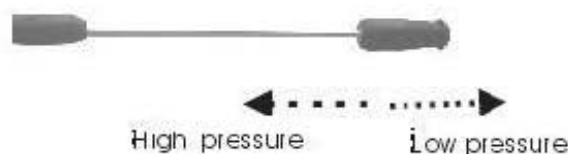
Using the detergent

1. Fill the detergent tank with detergent only. Do not put any water, or any liquid or acid into the tank.
2. Always spray detergent on a dry surface, do not pre-soak area. Wetting the surface first dilutes the detergent and reduces its cleaning ability. For best results, limit your work area to smaller sections of approximately 25 sq. foot.
3. Allow wash to remain on surface 1-3 minutes.
4. Rinse at high pressure in a long sweeping motion using a wide spray pattern.
5. When moving on to a new section of the cleaning surface, be sure to overlap the previous section to eliminate marks.

WARNING

This appliance has been designed for use with cleaning agent supplier or recommended by the manufacturer. The use of other cleaning agents or chemicals may adversely affect the safety of the appliance.

Note: Detergent is only applied at low pressure and big volume of water flow. During the use of high pressure lance, the detergent can only be dispensed when the lance is set to mechanism forward. Among the accessories supplied with your pressure cleaner, only the following can be used for detergent dispensing with high pressure lance (low pressure setting) See picture 4



Picture 4

CARE & MAINTENANCE

We strongly recommend routine maintenance of the following:

1. Nozzle: Visually check to see if the nozzle is free of grit or dirt. Carefully remove any dirt using the cleaning tool provided. Then rinse from the outside with clean water.
2. Water connector: After use, carefully remove the inlet filter from the water connector with flat nosed pliers and check that there are no obstructions- if any are present then rinse and clean the filter.

IMPORTANT

Remember frost will damage your high pressure cleaner if it has not been completely emptied of water after use. Always store in an area without frost, frost damage is not covered by the warranty.

Winter Storage

- Press trigger to release the water pressure.
 - Disconnect the garden hose from the water inlet on the unit and disconnect power supply.
 - For storage before winter we recommend the use of antifreeze.
 - Prepare the pressure cleaner for storage by turning a 50/50 mix of water and anti-freeze into the unit.
 - This will keep the internal parts lubricated, protected from rust, and prevents the pump from freezing.
- Mix anti-freeze and water at a 50/50 ratio.
- Connect a short piece of garden hose (2-3m long) to the water inlet fitting. Use a funnel to pour the anti-freeze solution down the hose.
 - Start the machine and let it draw the solution through the pump. This can take up to 2 minutes.
 - Disconnect the high pressure hose from the pump outlet.
 - Shut the pressure cleaner down when the solution begins to spray from the outlet.
 - Disassemble the detergent tank, and rinse thoroughly.
 - Wind up high-pressure hose and electrical cord.
 - Store the unit and accessories at above Zero °C.

WARNING: After the winter storage ensure that the complete system is washed out thoroughly before use. Anti-freeze will damage paintwork and therefore you must ensure that on antifreeze is left in the system before cleaning use.

PROBLEM SOLVING

PROBLEM	POSSIBLE CAUSE	CORRECTION
Machine does not start	<ul style="list-style-type: none"> -Plug not connected -Defective socket -Fuse blown -Defective extension cable -Wrong main voltage -Not switched on -RCD (if used) tripped 	<ul style="list-style-type: none"> -Connect plug -Try another socket -Change the fuse -Try without extension cable -Check that the main voltage corresponds to the specification of the machine -Switch on -Reset RCD
Pump stops	<ul style="list-style-type: none"> -Fuse blown -Overheating due to poor water supply 	<ul style="list-style-type: none"> -Change the fuse and check the length of extension cable -Check the inlet water flow rate hose should fill a 10 liter bucket in a minute
Strong pressure fluctuations	<ul style="list-style-type: none"> -Nozzle partly blocked 	<ul style="list-style-type: none"> -Clean dirt from nozzle hole with needle and rinse from the front
Machine does not reach Operating pressure	<ul style="list-style-type: none"> -Nozzle blocked/worn out -Inadequate main water -Inlet hose squeezed -Water filter clogged -Inlet hose blocked 	<ul style="list-style-type: none"> -Clean/replace nozzle -Check inlet water flow rate -Straighten out hose -Clean filter -Check hose for leaks or blockages
Lance trigger will not operate	<ul style="list-style-type: none"> -Safety catch on 	<ul style="list-style-type: none"> -Release safety catch
No detergent flow	<ul style="list-style-type: none"> -Detergent tank empty -Bottle and suction tube not Properly connected -Detergent too thick -Suction tube blocked 	<ul style="list-style-type: none"> -Fill the agent in the tank -Check the bottle and suction tube -Change the detergent -Replace the suction tube

ENVIRONMENTAL PROTECTION



Waste electrical products should not be disposed of with household waste. Please recycle where facilities exist. Check with your Local Authority or retailer for recycling advice.